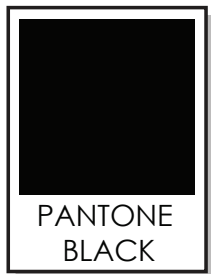
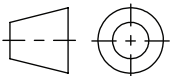



DO NOT PRINT THIS PAGE

REVISIONS			
REV.	DESCRIPTION	ECN	DATE
A	RELEASE TO PRODUCTION	E000350	2015-07-31

REFERENCE ONLY, PLEASE USE AI / EPS FOR PRINTING



PROPRIETARY AND CONFIDENTIAL THE INFORMATION CONTAINED IN THIS DRAWING IS THE SOLE PROPERTY OF SCA GLOBAL HYGIENE CATEGORY. ANY REPRODUCTION IN PART OR AS A WHOLE WITHOUT WRITTEN PERMISSION IS PROHIBITED.		PROJECTION FIRST ANGLE 		
DRAWN BY ALTEN		DATE 2015-02-25	SCA GLOBAL HYGIENE CATEGORY	
UNLESS OTHERWISE SPECIFIED DIMENSIONS ARE IN MILLIMETERS [INCHES] AND TOLERANCES FOR		DESCRIPTION		
REFER TO ECN FOR APPROVALS AND DATES		LINEAR: .X = ±.4 [.015] .XX = ±.25 [.010] .XXX = ±.127 [.005]	ARTWORK, INSTRUCTION MANUAL EU	
ANGULAR: ±1°		PREVIOUS PART NUMBER	N/A	STATE RELEASED
SIZE N/A	SCALE 1:1	SHEET N/A	DWG NO. 0013211	REVISION A

Tork Xpress® Multifold Hand Towel Dispenser

Image
Design

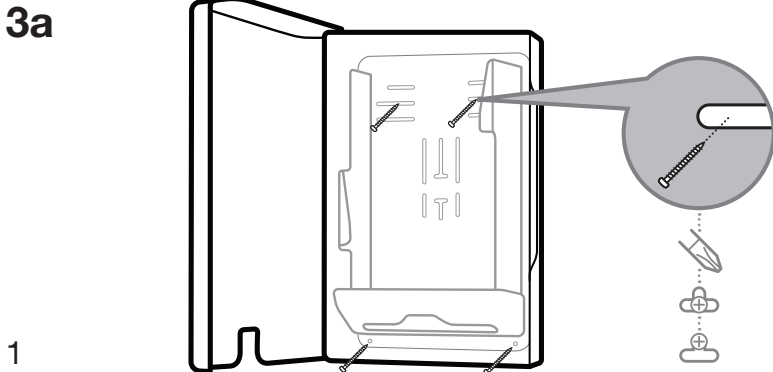
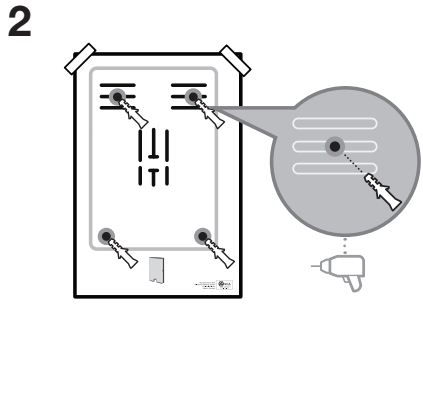
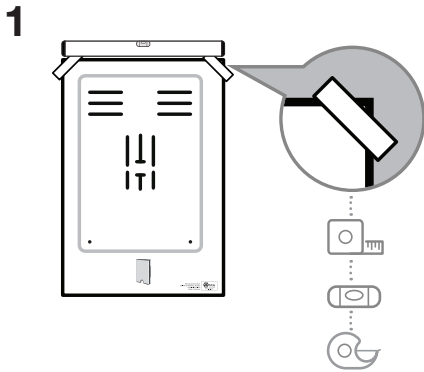
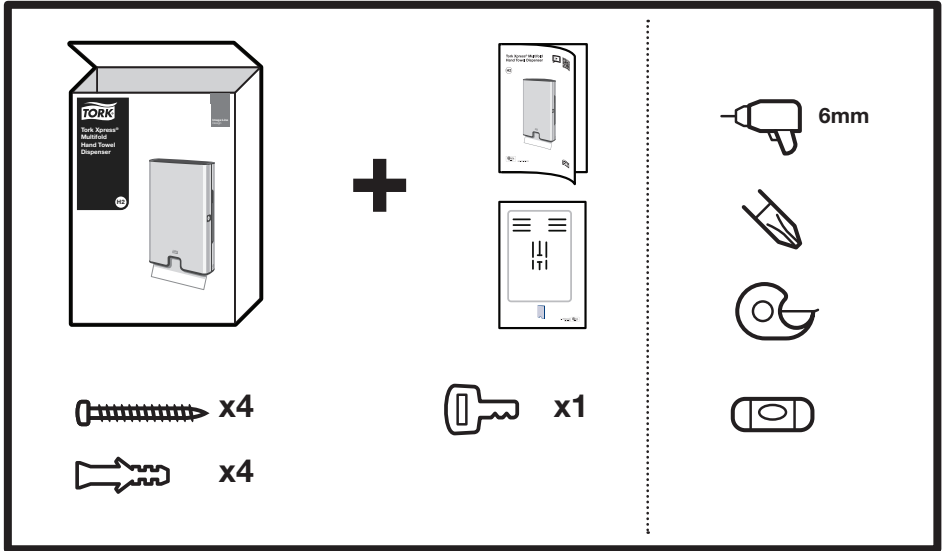
H2



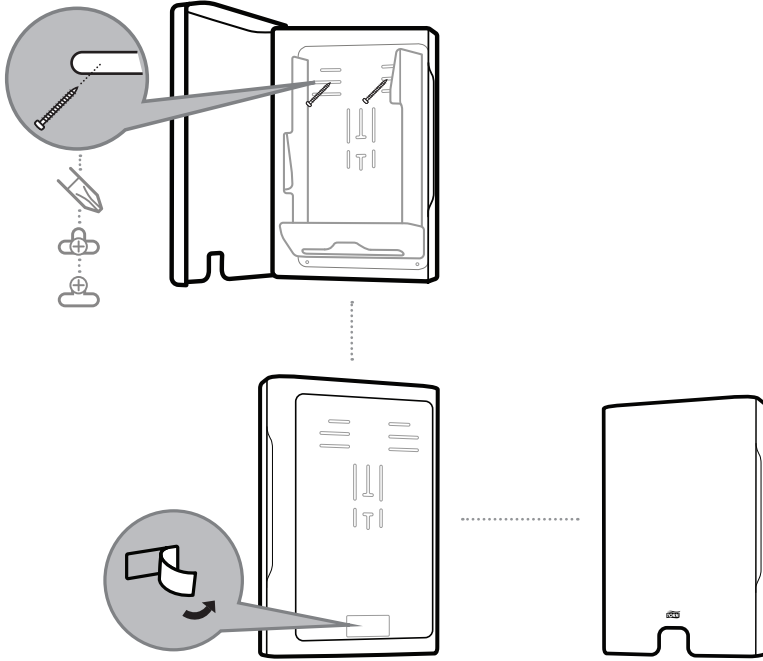
www.sca-tork.com



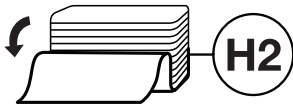
Tork Xpress® Multifold Hand Towel Dispenser



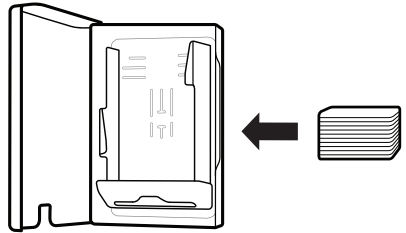
3b



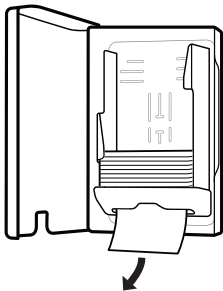
4



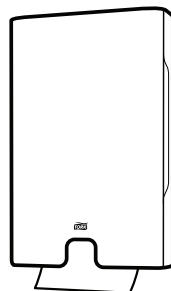
5

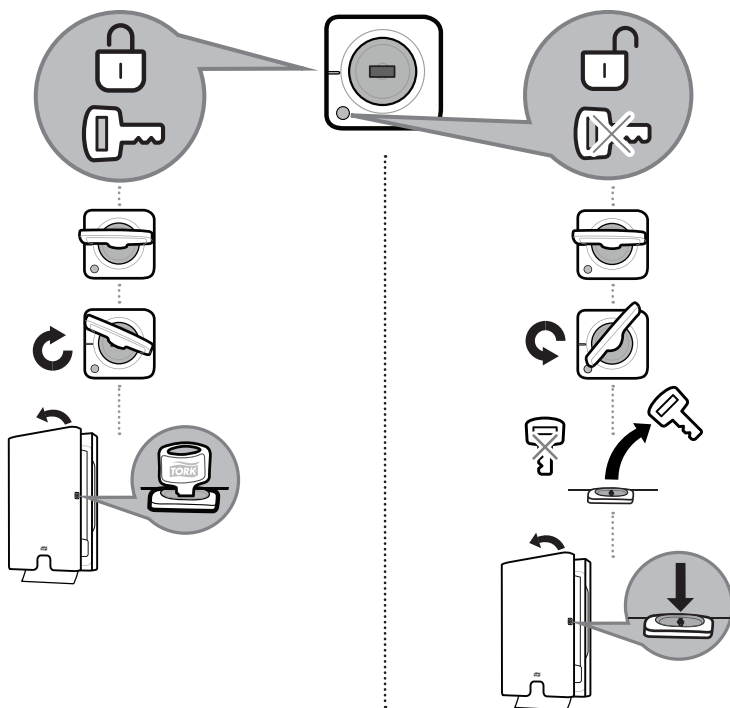


6



7





Disposal

- Damaged or malfunctioning product should be disposed of immediately to avoid potential of injury
- Products should be disposed of in accordance with applicable regulations

Cleaning instructions

- Clean dispenser with mild detergent and soft cloth

European community design registration RCD 002601922



Manufactured by SCA
SE-405 03 Göteborg, Sweden
www.sca-tork.com
Made in Poland