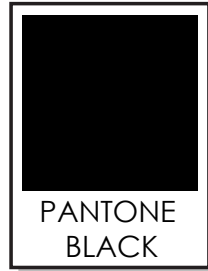
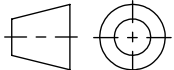



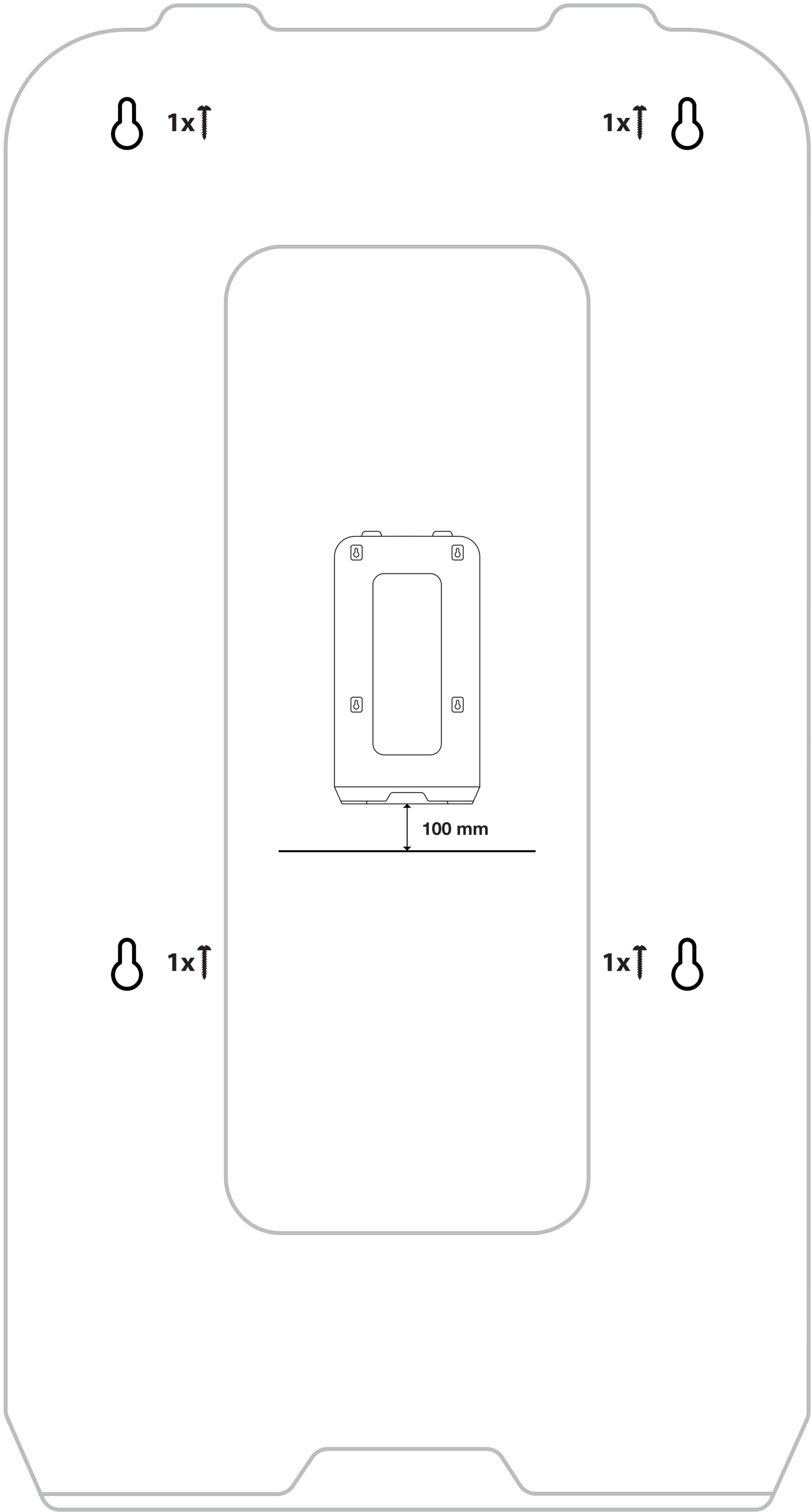
DO NOT PRINT THIS PAGE

REVISIONS			
REV.	DESCRIPTION	ECN	DATE
A	RELEASE TO PRODUCTION	E000280	2015-08-05

REFERENCE ONLY, PLEASE USE AI/EPS FOR PRINTING



PROPRIETARY AND CONFIDENTIAL THE INFORMATION CONTAINED IN THIS DRAWING IS THE SOLE PROPERTY OF SCA GLOBAL HYGIENE CATEGORY. ANY REPRODUCTION IN PART OR AS A WHOLE WITHOUT WRITTEN PERMISSION IS PROHIBITED.		PROJECTION FIRST ANGLE 		
DRAWN BY ALTEN	DATE 2015-05-09	UNLESS OTHERWISE SPECIFIED DIMENSIONS ARE IN MILLIMETERS [INCHES] AND TOLERANCES FOR LINEAR: $X = \pm .79$ [.031] ANGULAR: $\pm 2^\circ$		DESCRIPTION ARTWORK, MOUNTING TEMPLATE EU
REFER TO ECN FOR APPROVALS AND DATES		SIZE N/A	SCALE 1:1	SHEET N/A
PREVIOUS PART NUMBER N/A		STATE RELEASED		
DWG NO. 0013311		REVISION A		

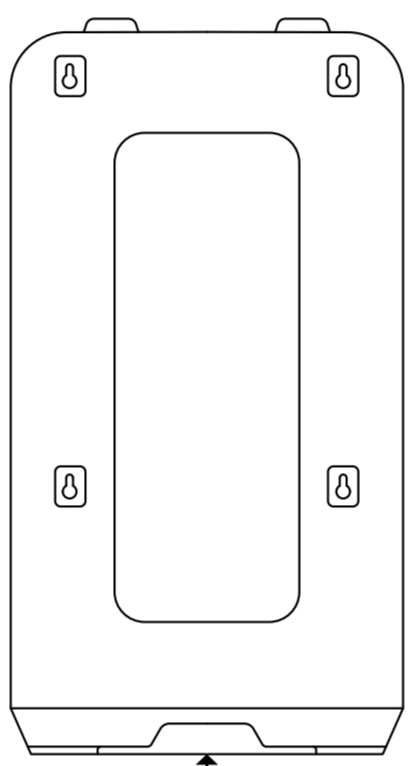


1x ↑

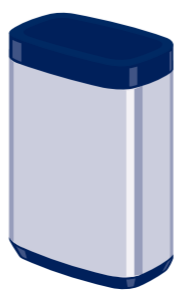
1x ↑

1x ↑

1x ↑



100 mm



Manufactured by SCA
SE-405 03 Göteborg, Sweden
www.sca-tork.com
Made in Poland

