



Tork Bath Tissue Jumbo Roll Dispenser (11.7"):

T21 System: 67TR (smoke)

Dispenser Dimensions HxWxD (Inches):
 14.9 x 12.9 x 5.8 (37.85 x 32.77 x 14.73 cm)

Jumbo Bath Tissue Product Options:

- TJ1222A (Tork Universal, 2 Ply, 2000')
- TJ1212A (Tork Universal, 1 Ply, 4000')



Tork Bath Tissue Jumbo Roll Dispenser (8.8"):

T22 System: 66TR (smoke)


Dispenser Dimensions HxWxD (Inches):
 12 x 10.63 x 5.75 (30.48 x 27.00 x 14.61 cm)

Jumbo Bath Tissue Product Options:

- TJ0912A (Tork Universal, 1 Ply, 2000')
- TJ0922A (Tork Universal, 2 Ply, 1000')
- TJ0921A (Tork Universal, 2 Ply, 1000')
- TJ0924 (Tork Universal, 2-Ply, 1000')
- TJ0928 (Tork Universal, 2-Ply, 750')

Parts



Part Description	Replacement SKU
LOCK FINGERS	LOCKINSERT
ROLL SUPPORT	
67TR COVER	67TR COVER
66TR COVER	66TR COVER
#14 DISP KEY	#14 KEY
	

Mounting height

The lower part of the dispenser should be 27.5 inches 70 cm from the floor.

27.5 inches
 70 cm



Part Description with Replacement Instructions

Parts with SKUs listed are available for order as of the revision date on the manual. Contact an Essity Sales Rep or the Essity Quality Coordinator to order these parts.

If no SKU is listed, the availability of the part is unknown. Please contact the Essity Quality Coordinator for more information (see Contacting Essity section).

Replacement SKU Description & Replacement Instructions

LOCKINSERT	LOCK FINGERS (67TR & 66TR only) Unmounting the dispenser is required to remove the lock fingers. Locate the tabs that secure the lock fingers on the back of the dispenser. Bend the tabs to a position in which the fingers can be removed.
	ROLL SUPPORT Supports the jumbo bath tissue roll. Not replaceable.
67TR COVER	67TR COVER (includes a #14 KEY) The cover is keyed, so when the cover is in a certain position you should be able to slide the cover off of the pivot on the dispenser housing. Open the cover and look on the outside of the pivots to determine this position.
66TR COVER	66TR COVER (includes a #14 KEY) See instructions for 67TR COVER.
#14 KEY	#14 DISP KEY (for 67TR, 66TR, 66T1, & 66T only)

Preventive Maintenance

The dispenser should be cleaned any time there is heavy paper dust build-up inside the dispenser. If paper dust is not a problem, approximately every year is a good frequency for cleanings. The following is the recommended procedure to cleaning:

- 1) Open the dispenser and remove the roll of paper.
- 2) Clean out any paper dust. This can be done in several ways, such as, vacuuming, blowing out with a can of compressed air (wear safety glasses), wiping out with a damp cloth, etc.
- 3) Clean the cover with a general all-purpose cleaner that is safe for plastics.

Troubleshooting

Problem: Any paper-related problem.

- ✓ Take note of the date code on the outside of the case of paper product. Then contact the Essity Quality Coordinator and explain the problem.

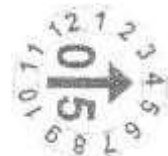
Problem: Any other problem not stated above.

- ✓ Contact the Essity Quality Coordinator.

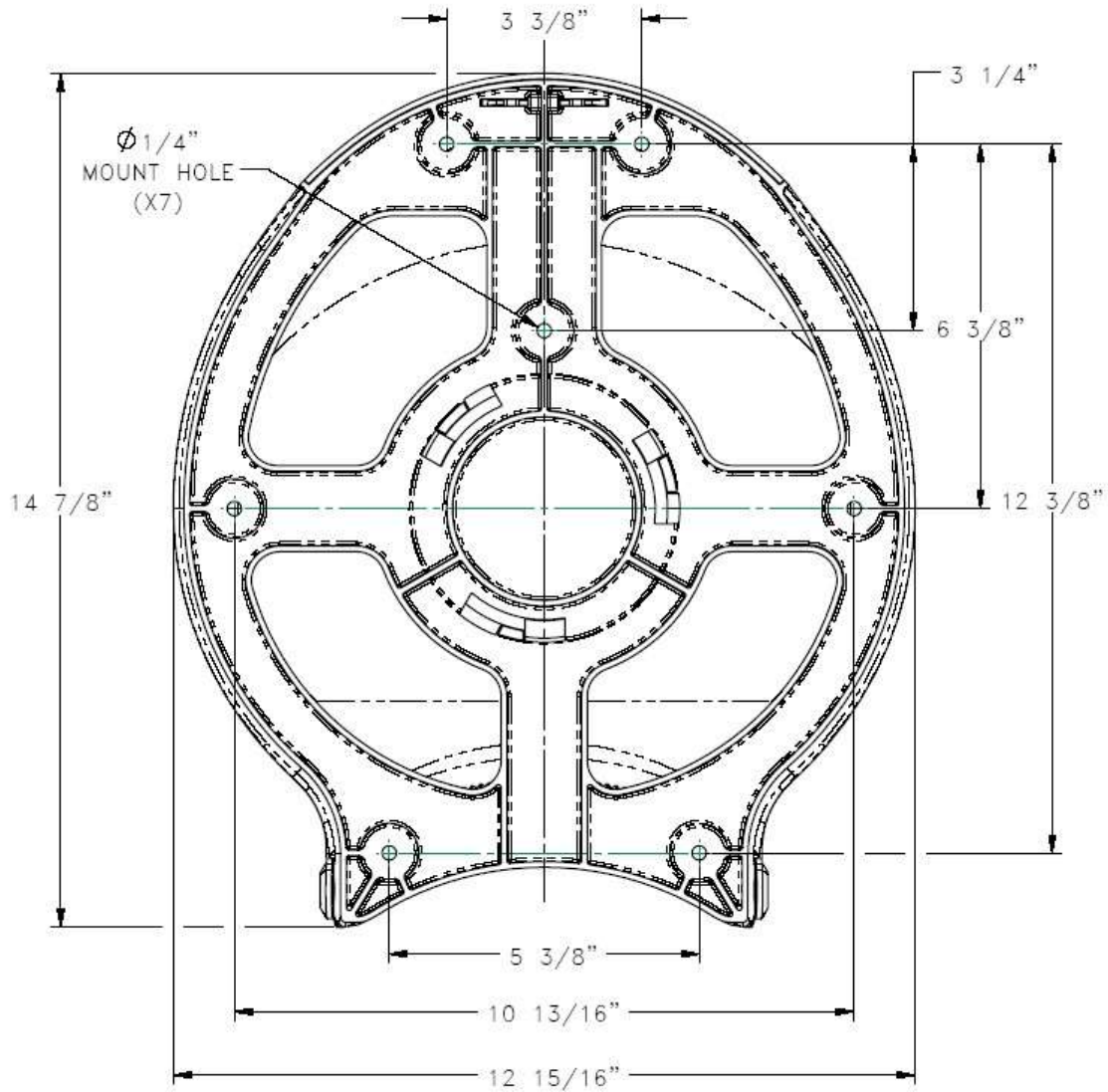
Contacting Essity

To contact the Essity Quality Coordinator, dial 1-866-722-6659 and press 6. If asked for the date code on the dispenser, see instructions below.

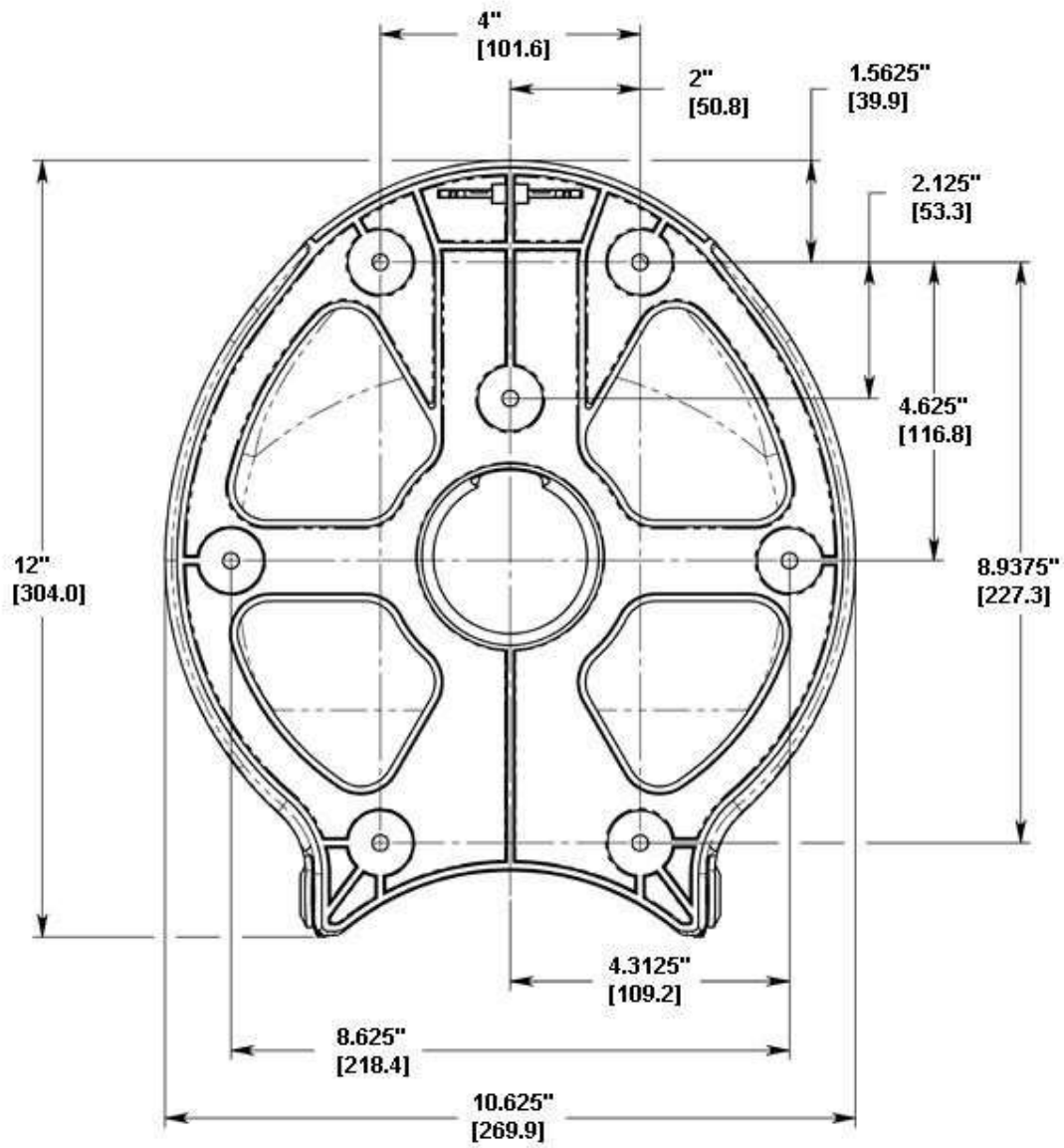
Product Code Date Location: Open dispenser, take out any paper. Look on back wall of dispenser for circles (like shown on the right) molded into unit. The circle on the right shows an arrow pointing to the month, with the year in the center of circle. The left circle shows the day of month. Some dispensers may not have the day circle, but should have the month and year circle.



67TR 12" Single Jumbo Tissue Dispenser Mounting Instructions



66TR 9" Single Jumbo Tissue Dispenser Mounting Instructions



BACK VIEW