



**Tork Toilet Seat Cover Dispenser**  
V1 System: 99A (White)

**Toilet Seat Cover Options:**  
TC0020 Tork Universal Toilet Seat  
Cover, ½ Fold White

**Areas of use**

All toilets.

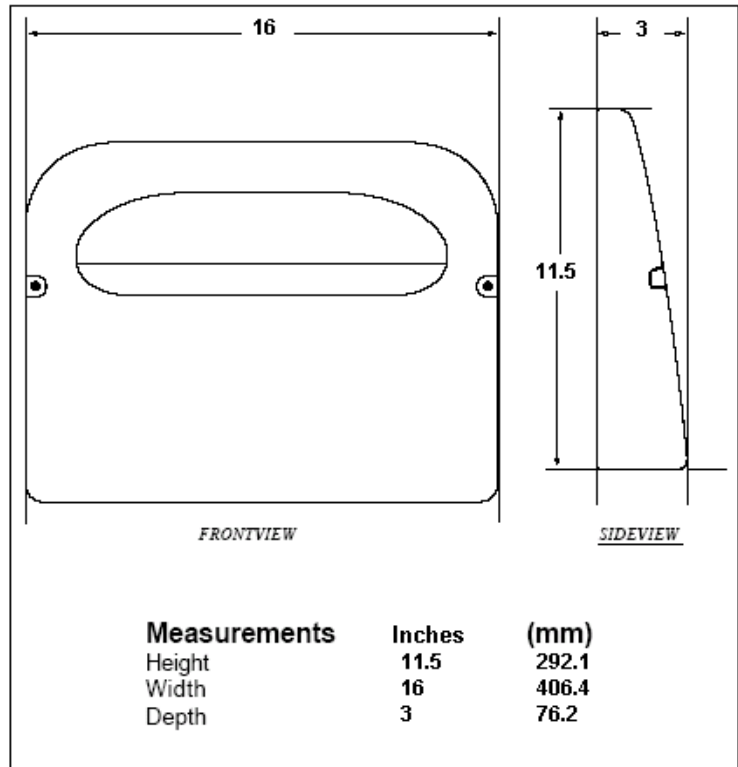
**Maintenance**

Clean with water with soft detergent. Do not use high-pressure washing.  
Remove dust from inside with soft wipe.

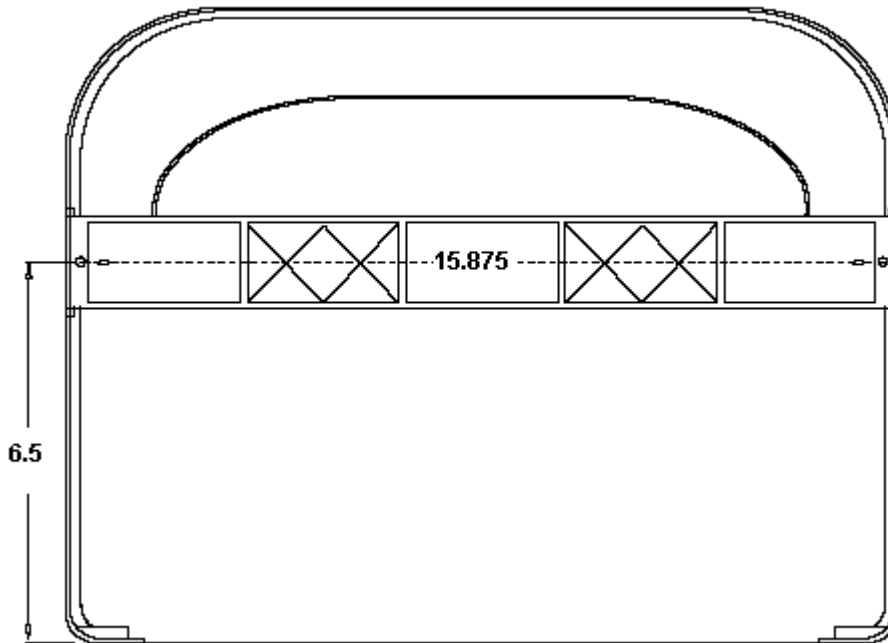
**Dispenser Dimensions HxWxD (Inches):**  
11.5 x 16 x 3 (29.21 x 40.64 x 7.62 cm)

## 99A Tork Toilet Seat Cover Dispenser Parts / Dimensions / Materials

<b>Colors</b>	<b>Product #</b>
White	99
<b>Accessories and spare parts</b>	<b>Part #</b>
<b>Materials</b>	
ABS Plastic	
<b>Mounting height</b>	
The lower part of the dispenser should be 47 inches	47 inches
47 inches 120 cm from the floor.	120 cm



## 99A Tork Toilet Seat Cover Dispenser Mounting Instructions



Any good quality double back foam tape can also be used to mount this dispenser.

- Use approx 20 – 25 square inches of tape to assure strength.
- Clean the dispenser back plate and the mounting surface with an alcohol pad prior to tape application.
- Also after install....wait 24 hrs before loading the dispenser with product to allow the double back tape adhesive a “cure time”.