

Tork Xpressnap Signature In-Counter Dispensing System



In-Counter Napkin Dispenser- 5"- Black

| | |
|----------------------|---|
| Dispenser Dimensions | 6.5"H x 9.9"W x 7.0"D |
| ((H x W x D) | (16.51 x 25.15 x 17.78cm) |
| Dispenser/Case | 1 |
| SKUs | 6032050 Black 6035050 Stainless Finish |



In-Counter Napkin Dispenser - 12" - Black

| | |
|----------------------|---|
| Dispenser Dimensions | 12.0"H x 9.9"W x 7.0"D |
| ((H x W x D) | (30.48 x 25.15 x 17.78cm) |
| Dispenser/Case | 1 |
| SKUs | 6032120 Black 6035120 Stainless Finish |



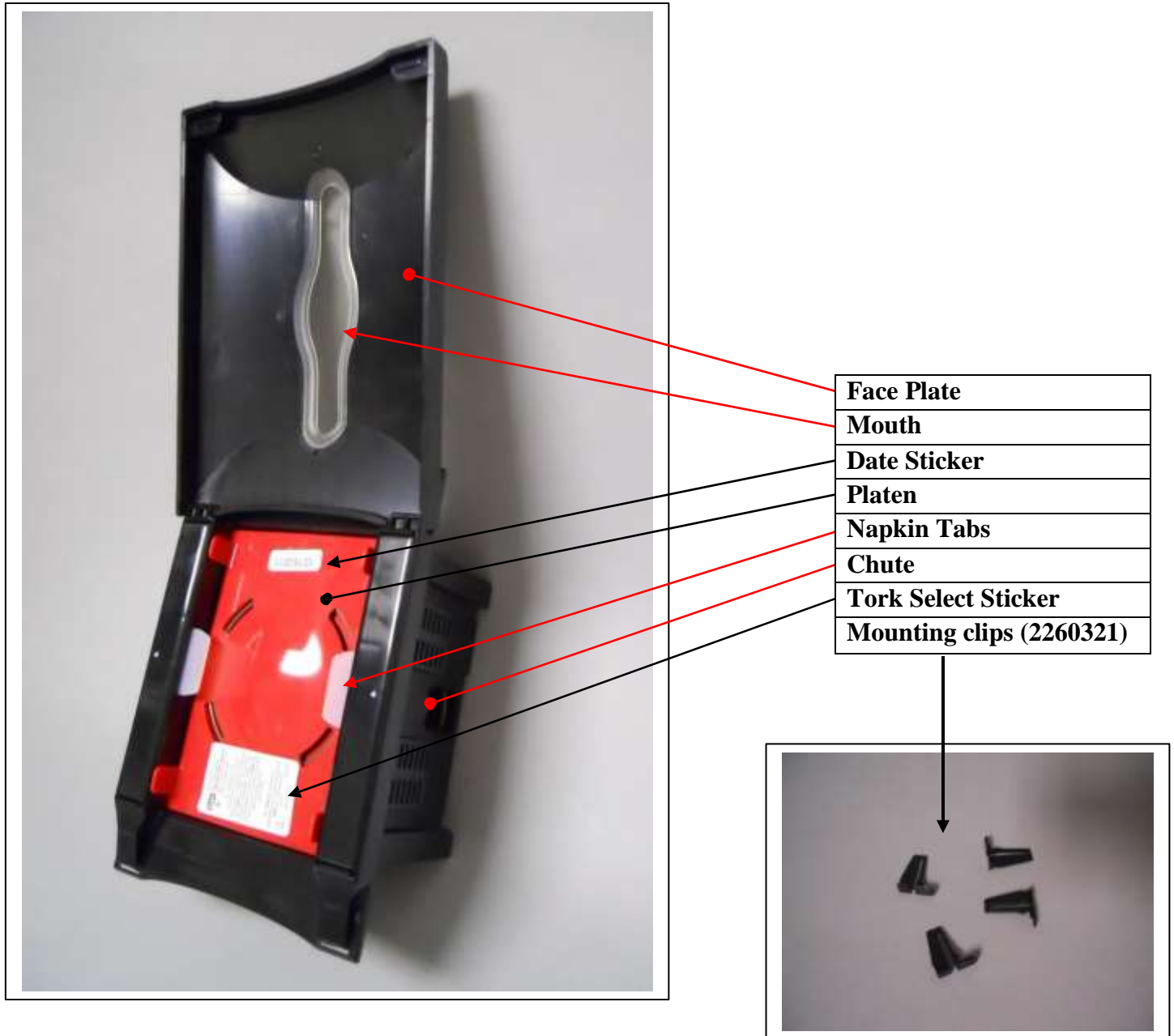
In-Counter Napkin Dispenser - 20" - Black

| | |
|----------------------|---|
| Dispenser Dimensions | 20.0"H x 9.9"W x 7.0"D |
| ((H x W x D) | (50.48 x 25.15 x 17.78cm) |
| Dispenser/Case | 1 |
| SKUs | 6032200 Black 6035200 Stainless Finish |

Xpressnap Product Options:

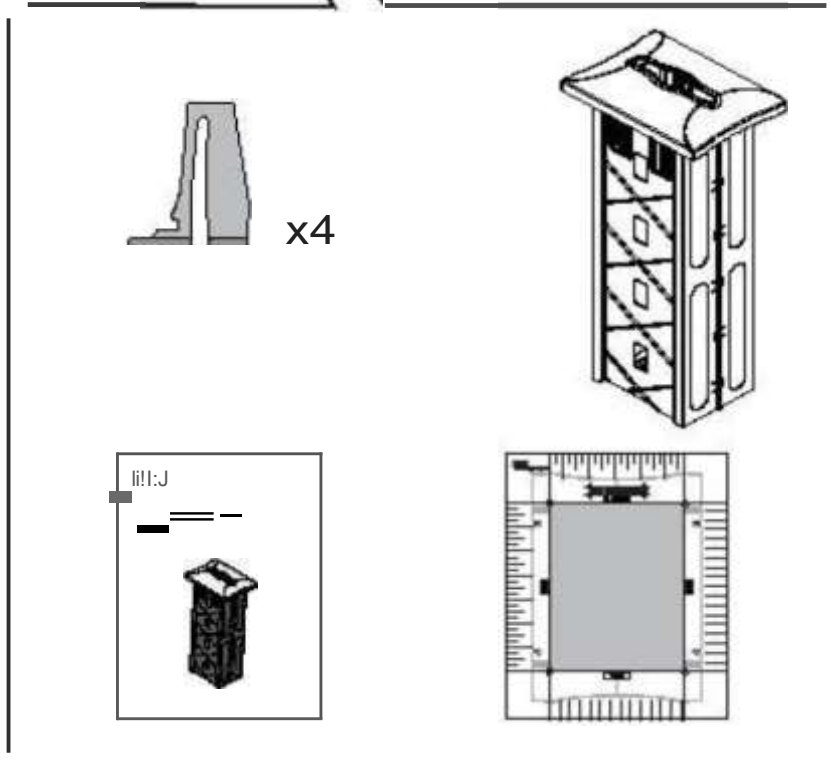
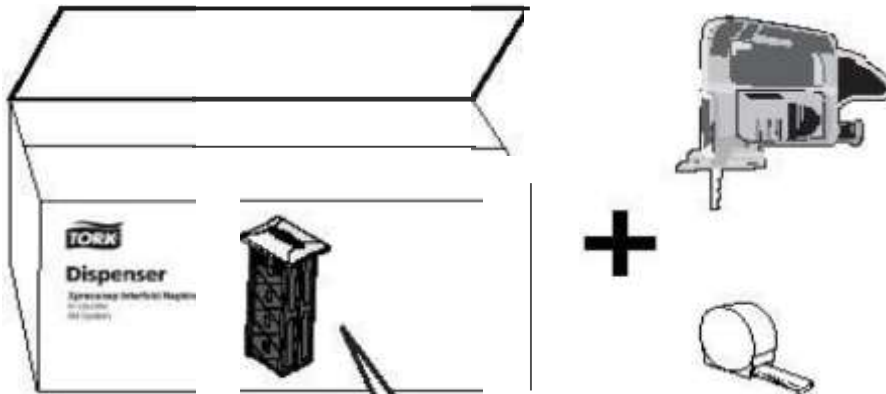
- DX990 – Tork Advanced Plus, White
- DX900 - Tork Advanced, White
- DX906E - Tork Universal, Natural
- 908EX - Tork Universal, Environmental Printed, Natural

Parts Identification



The mounting clips are the only replaceable spare part for this dispenser at this time.

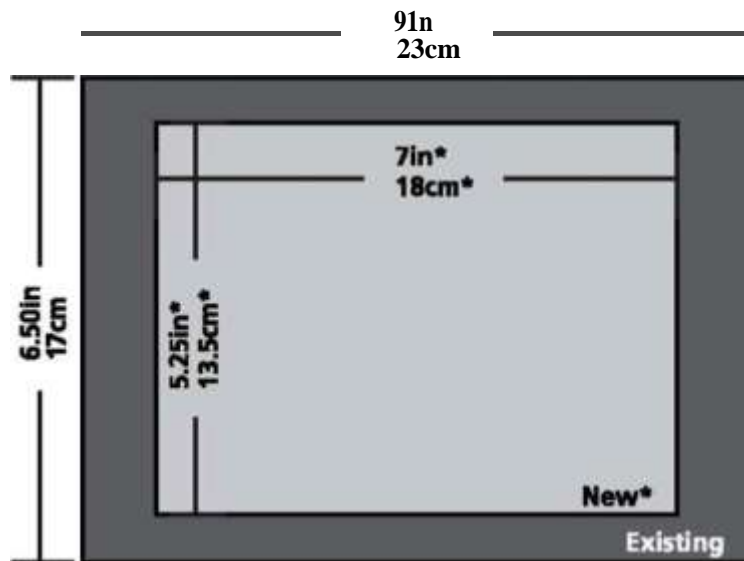
Contents:



Cutout:

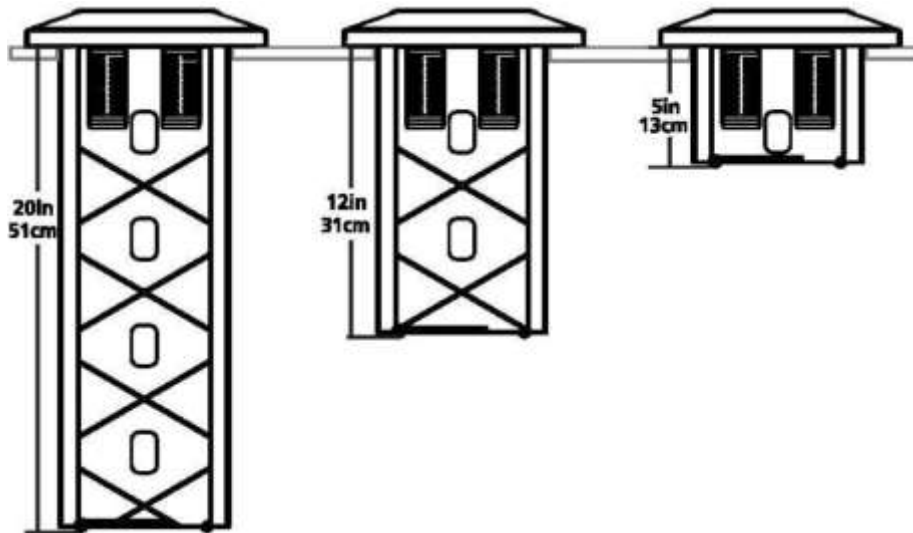


(See included template)

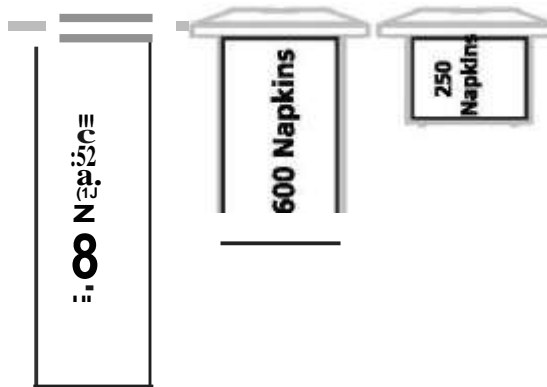


•Ideal size 7in(17cm) x 5.25in(14cm) Tolerance (+.125in. +.3cm)

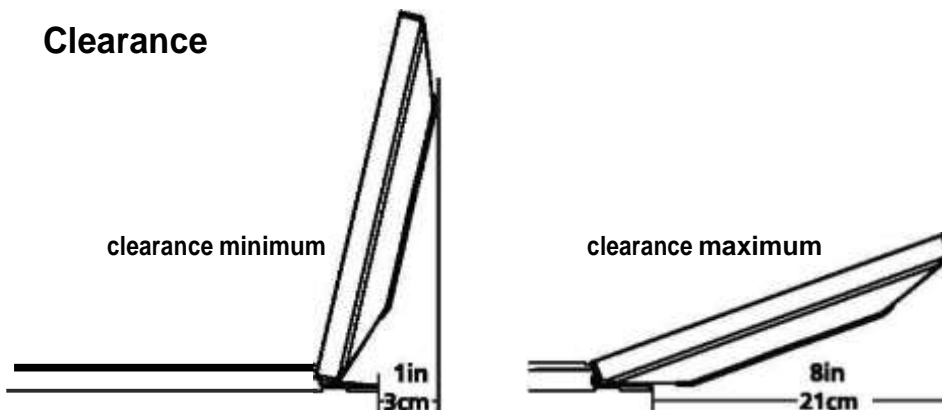
Depth

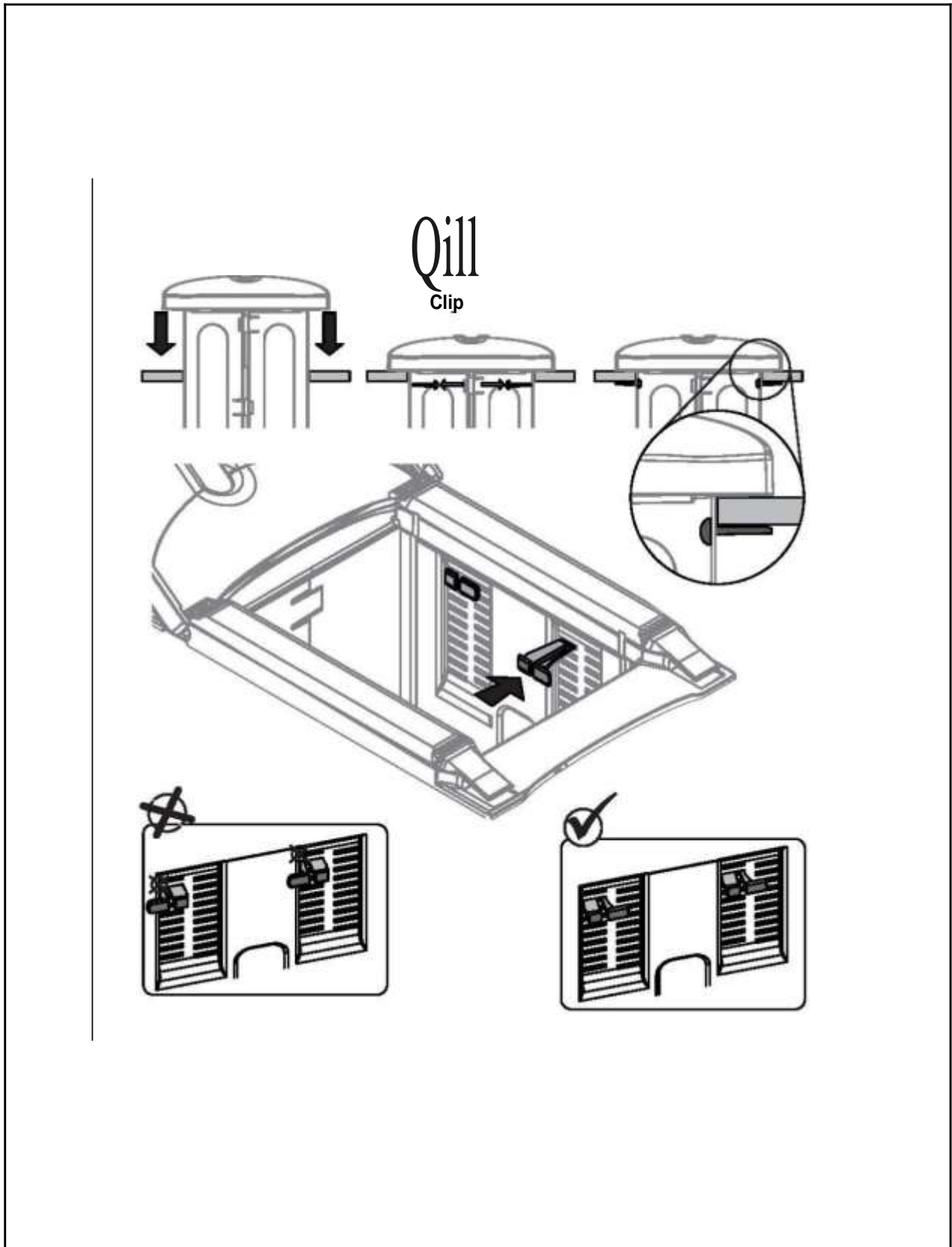


Capacity



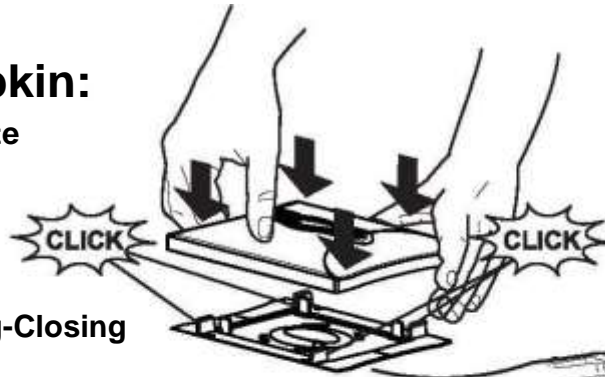
Clearance



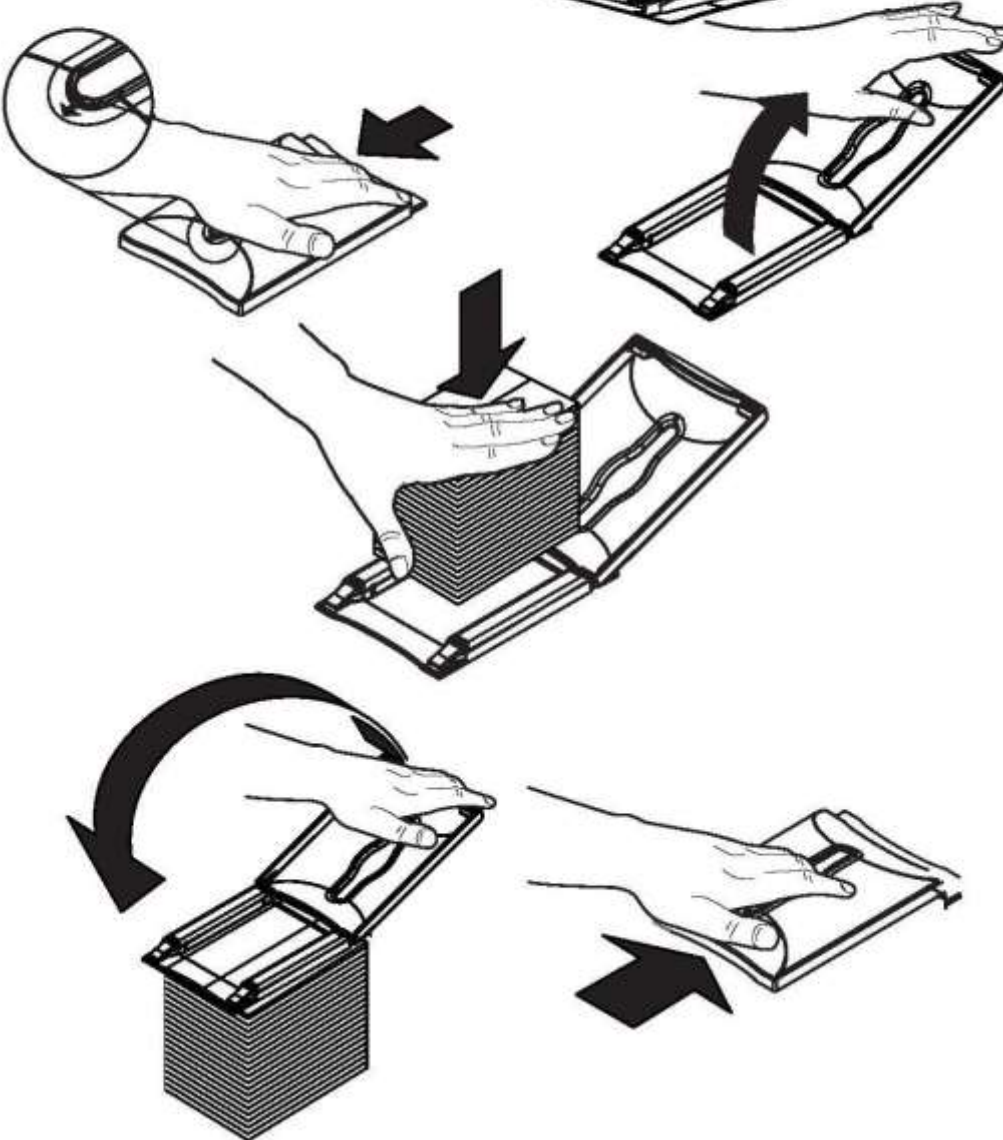


Loading napkin:

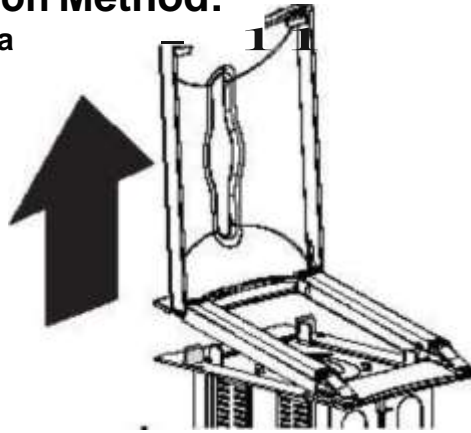
Attach Lid to Chute



Opening-Loading-Closing



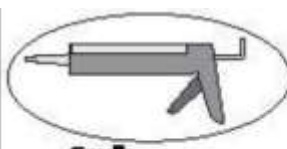
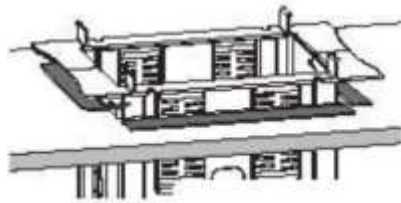
Optional Installation Method: Remove Lid from Chute



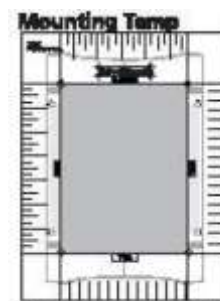
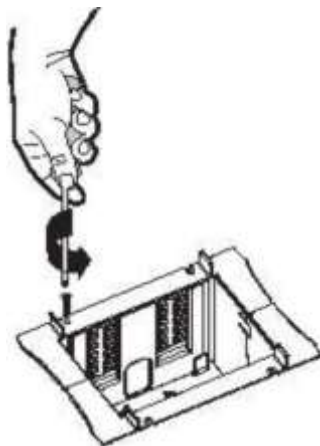
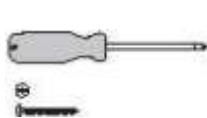
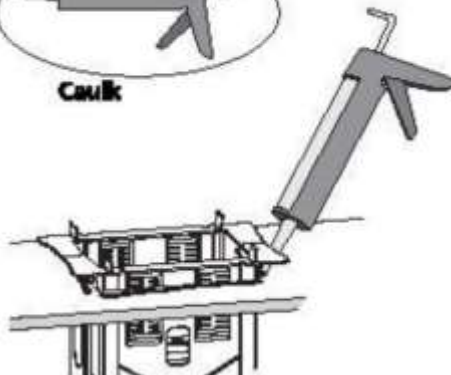
Optional methods (Materials not included)



Dull Silicone Felt Tape



Caulk



(See included template)

Interfolding Napkins While Reloading to Top-Off

Open the top napkin on original stack still in the dispenser.



Open the bottom napkin on stack being loaded into the dispenser and place open end on original stack as shown.



Fold new stack on top of original stack, keeping both stacks square with one another.



Thread top napkin through cover while holding the stack down into the chute.



Close the lid on the stack and slide into the closed/operating position.



Preventive Maintenance

CLEANING:

Use mild cleaners. Wipe with cloth using soap and water. Do not use abrasives. Dispenser is not dishwasher safe. Dispenser can be completely disassembled for cleaning, if necessary.

LIMPIEZA:

Utilice limpiadores suaves. Limpie frotando con trapo utilizando jabón y agua. No utilice limpiadores abrasivos. El dispensador NO es apto para lavaplatos automático. En caso de ser necesario, el dispensador puede desarmarse completamente para propósitos de limpieza.

NETTOYAGE :

Utiliser des produits nettoyants doux. Essuyer avec un tissu mouillé d'eau et de savon. Ne pas utiliser de produit abrasif. Le distributeur n est PAS conçu pour aller au lave-vaisselle. Si nécessaire, le distributeur peut être entièrement démonté pour être nettoyé.

Troubleshooting

Problem: Cover is not closing.

- ✓ Insect napkin stack to make sure it is square with chute and can be moved freely in and out of chute
- ✓ Be sure that the number of napkins in the dispenser does not exceed stated capacity (ref. page 6 for capacity per model).

Problem: Napkins are shredding or tearing as they dispense.

- ✓ Inspect the inside of the dispenser and the mouth on the face plate (see Parts section on page 3). Any contaminate in these areas that the napkins catch on while dispensing could be causing the issue.
- ✓ Be sure that the number of napkins in the dispenser does not exceed stated capacity (ref. page 6 for capacity per model).

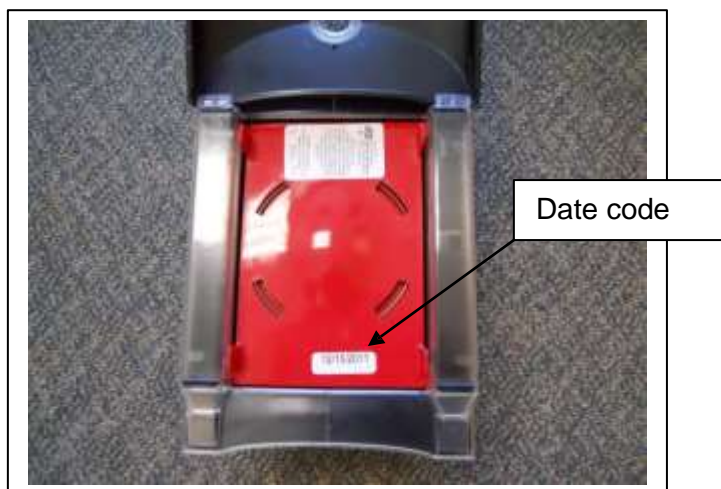
If the problem continues after following the previous steps, contact the Essity Quality Coordinator. Please locate the date code on the inside of the dispenser before calling. (See below.)

Problem: Any other problem not stated above.

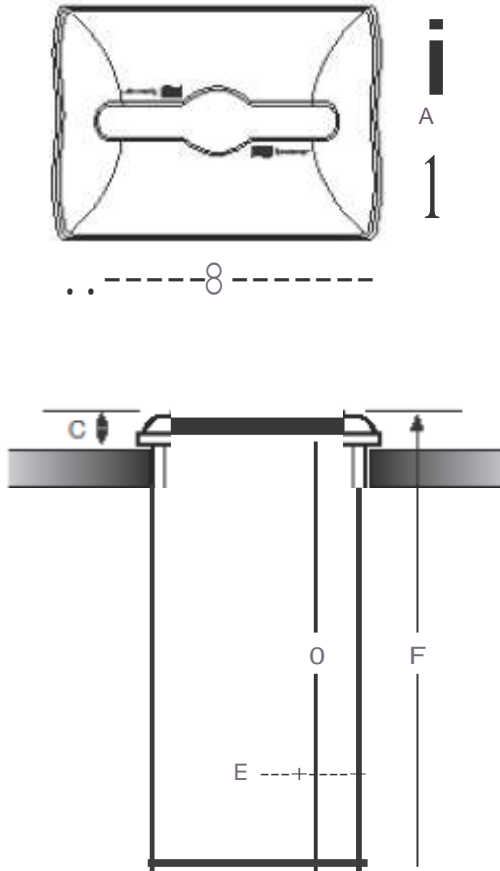
- ✓ Contact the Essity Tissue Quality Coordinator.

Contacting Essity

To contact the Essity Quality Coordinator, dial 1-866-722-6659 and press 6. Please have dispenser date code handy when calling.



Tork Xpressnap Signature In-Counter Dispensing System Dimensions



| | |
|-----------------------|---------------------|
| Faceplate Depth A | 7.0" 178mm |
| Faceplate Width B | 9.9" 251 mm |
| Faceplate Height C | 1 1/2" 38mm |
| Box Length D | 20" 508mm |
| | 12" 305mm |
| | 5" 127mm |
| Chute Width E | 7" 178mm |
| | Overall Height F |
| Overall Height F | 13 1/2" 343mm |
| | 6 1/2" 165mm |
| | Chute Width G |

