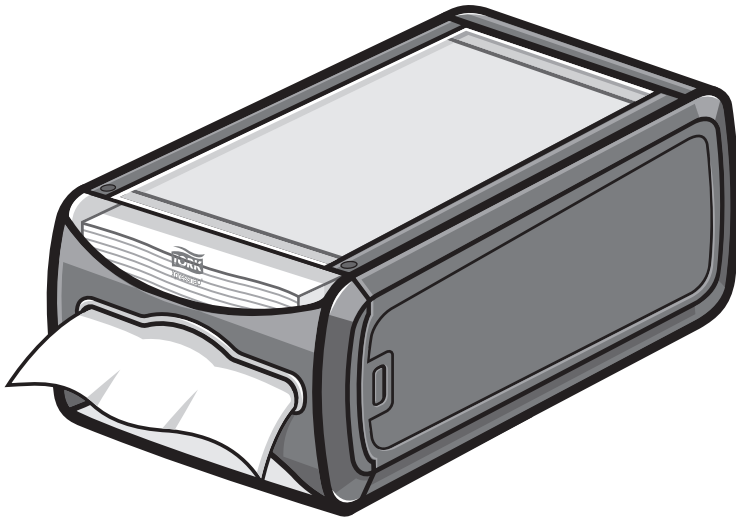


Tork Xpressnap® Counter Napkin Dispenser

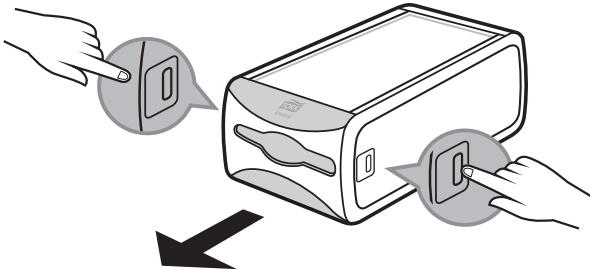
N4

Signature
Design

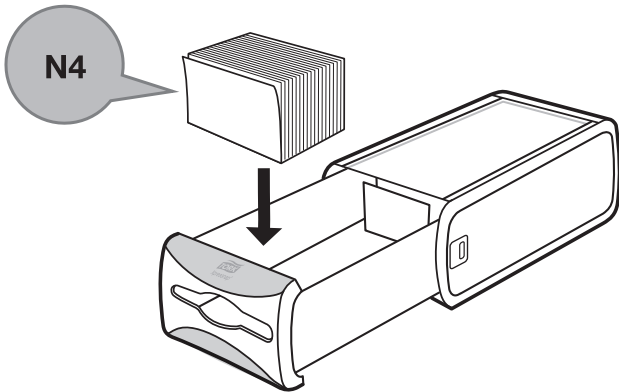


Tork Xpressnap® Counter Napkin Dispenser

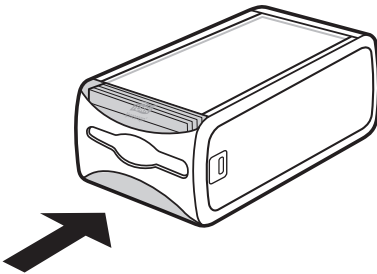
1



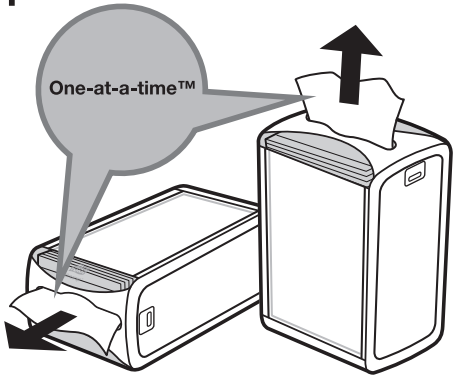
2



3



4

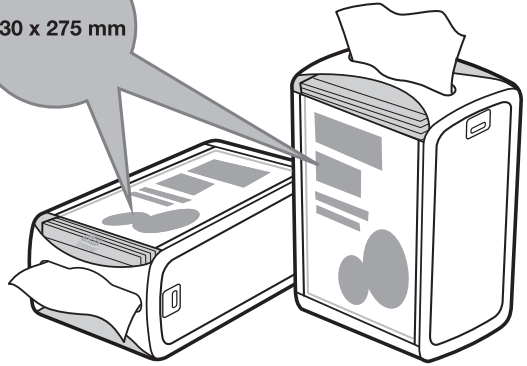


1

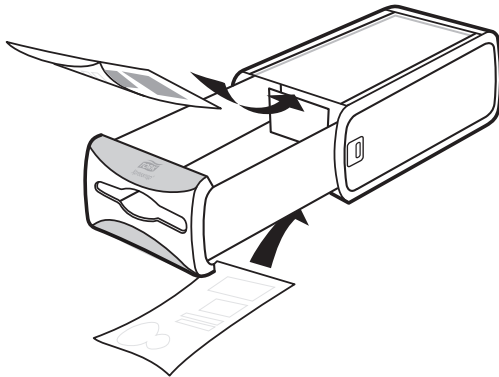
AD-a-Glance™

TEMPLATES
adagance.torkglobal.com

230 x 275 mm

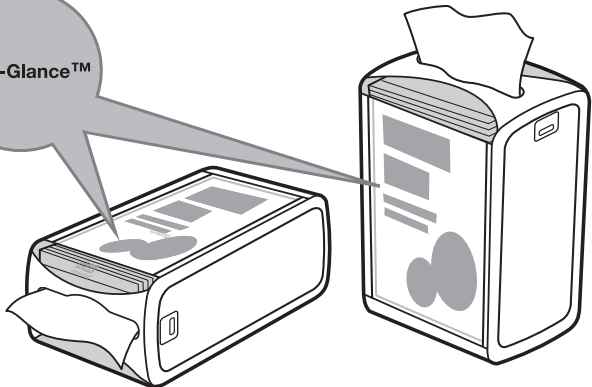


2



3

AD-a-Glance™



Cleaning instructions

- Use mild cleaners. Wipe with cloth using soap and water. Do not use abrasives. Dispenser is not dishwasher safe.

European Community Design Registration RCD 001293070



Manufactured by [Essity Hygiene and Health AB](#)
SE-40503 Göteborg, Sweden
[Visiting address: Mölndals Bro 2, Mölndal](#)
[www.essity.com](#), [www.torkglobal.com](#)
Made in United States
Patents/Brevets/Patentes: [www.essity.com/patents](#)