

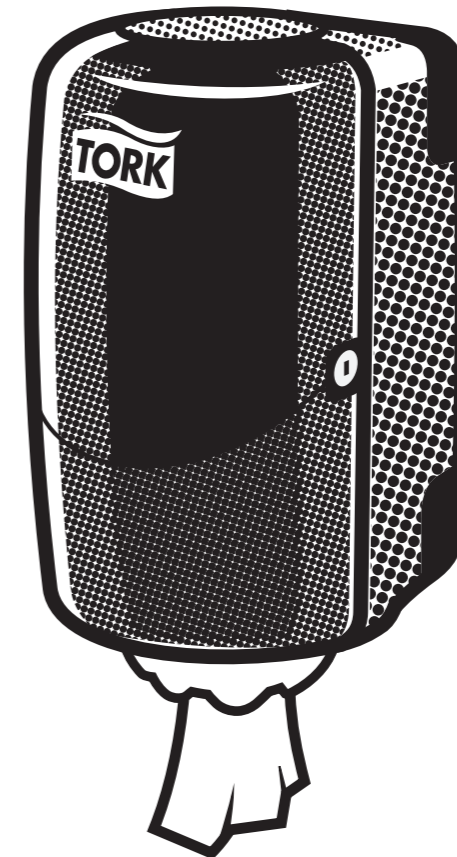
European Community Design Registration RCD 001149447

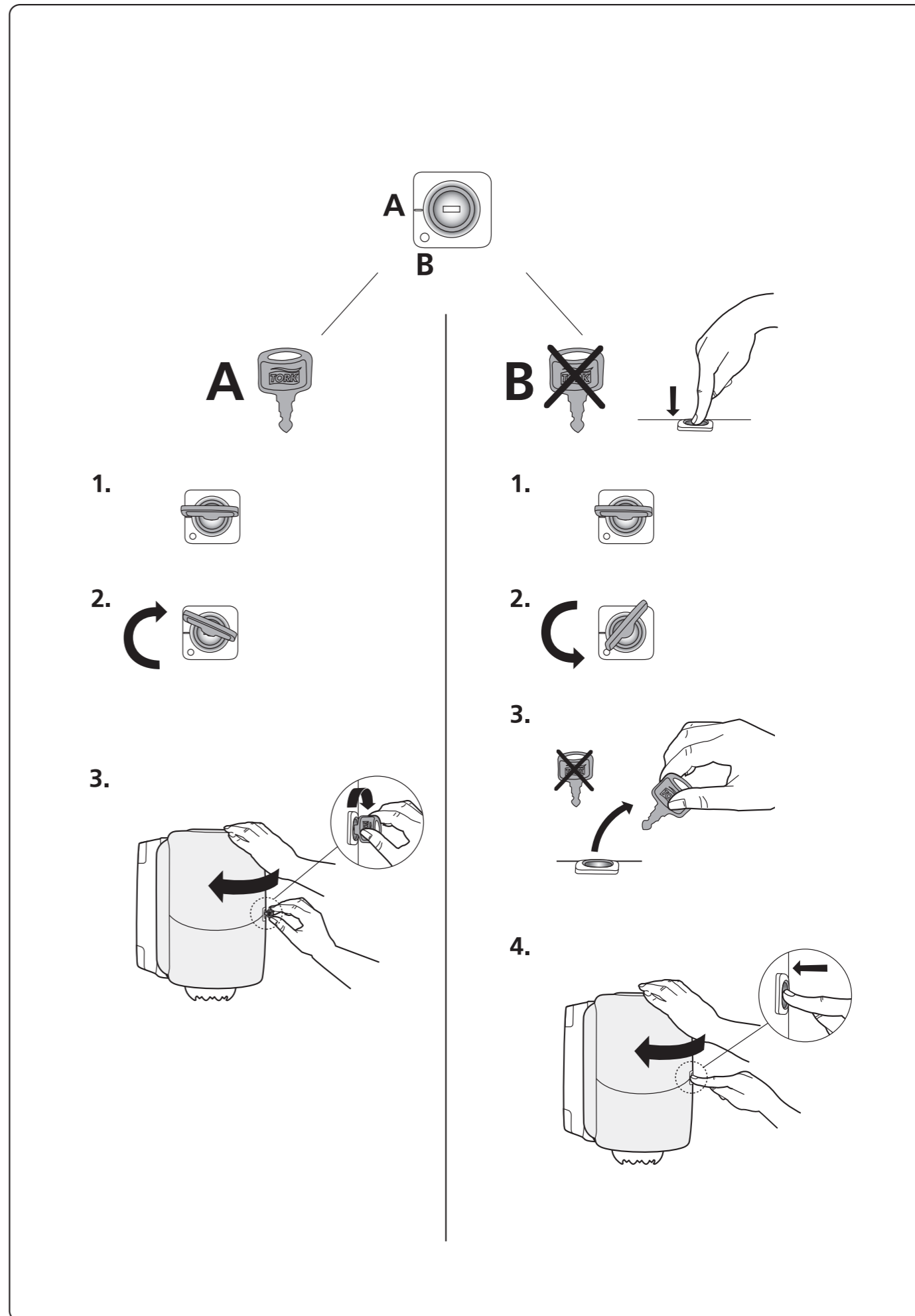
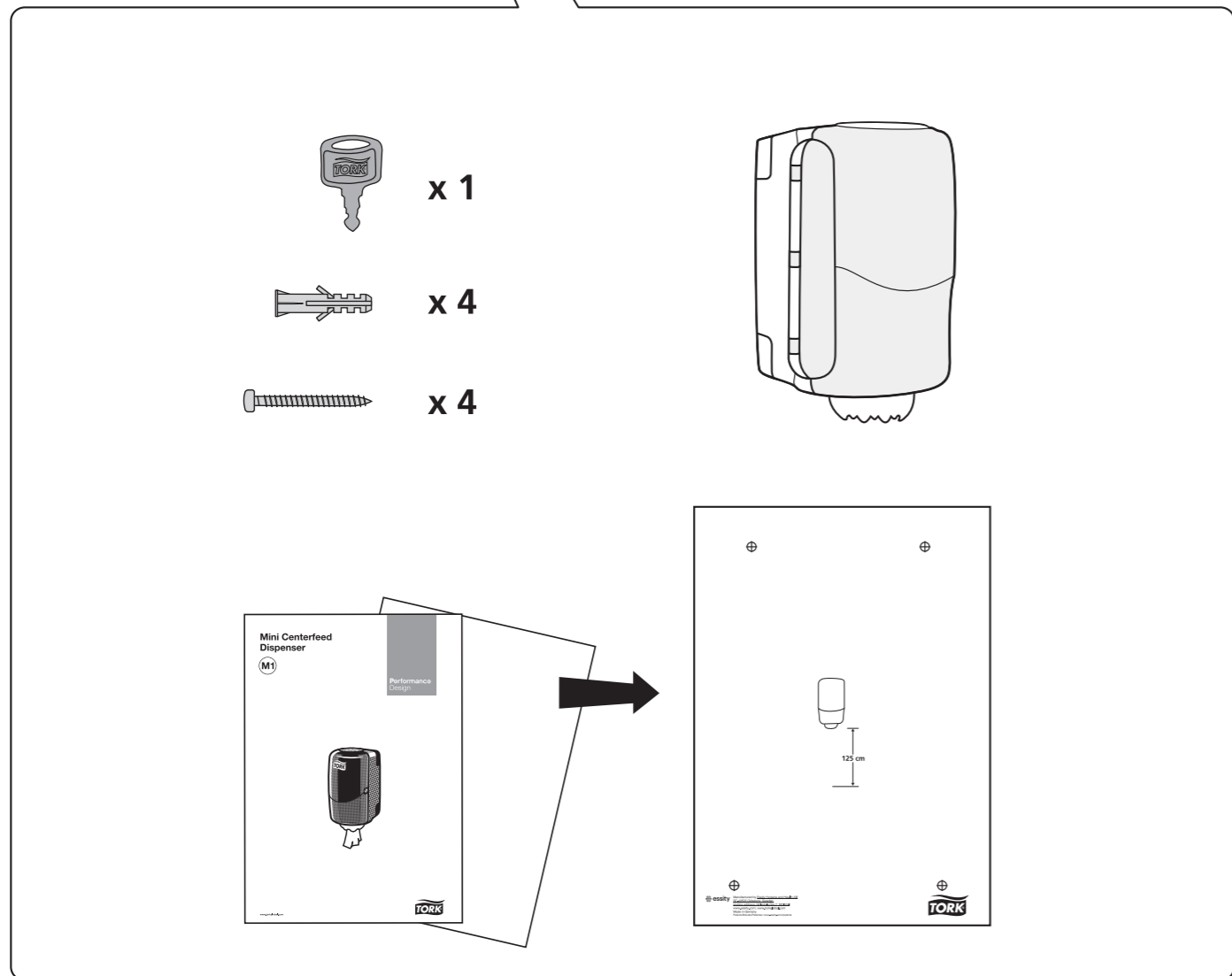
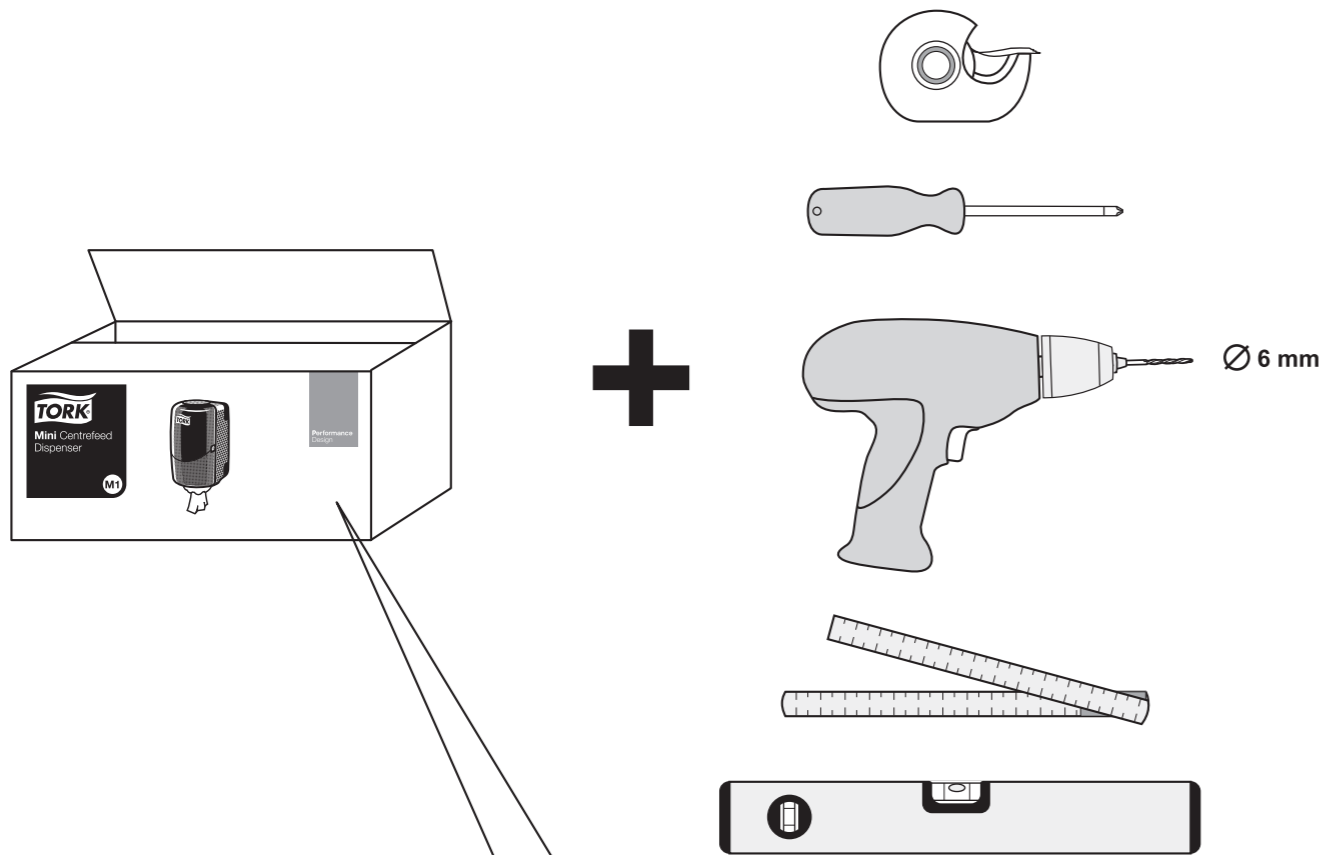
2012-12-05

Mini Centerfeed Dispenser

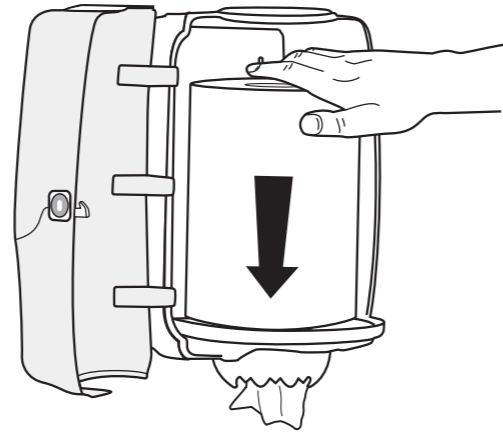
M1

Performance
Design

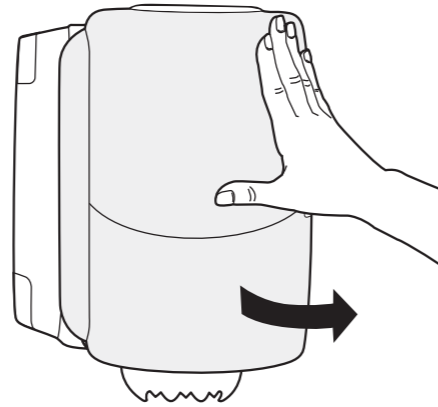




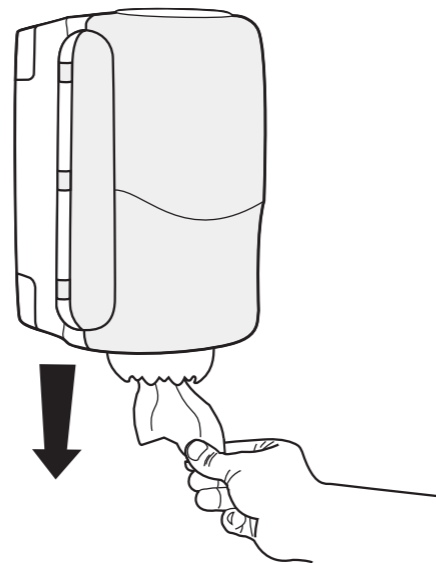
3.



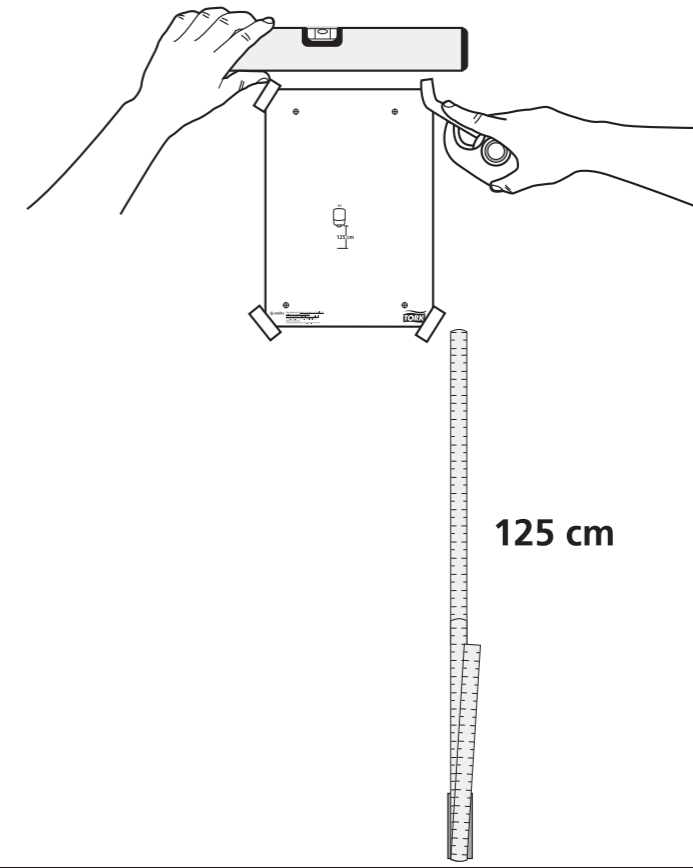
4.



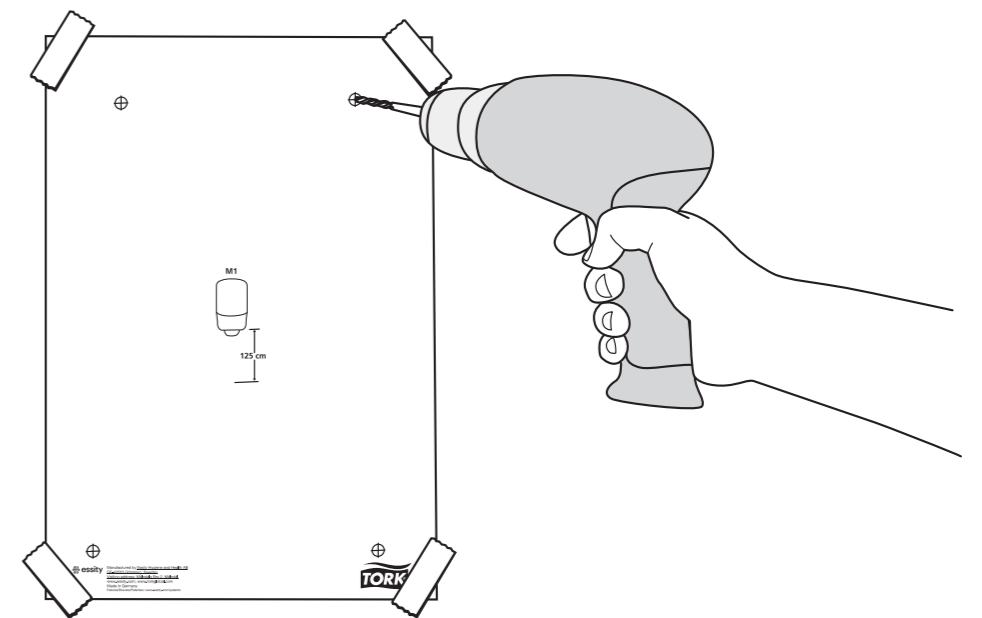
5.



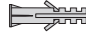

1.

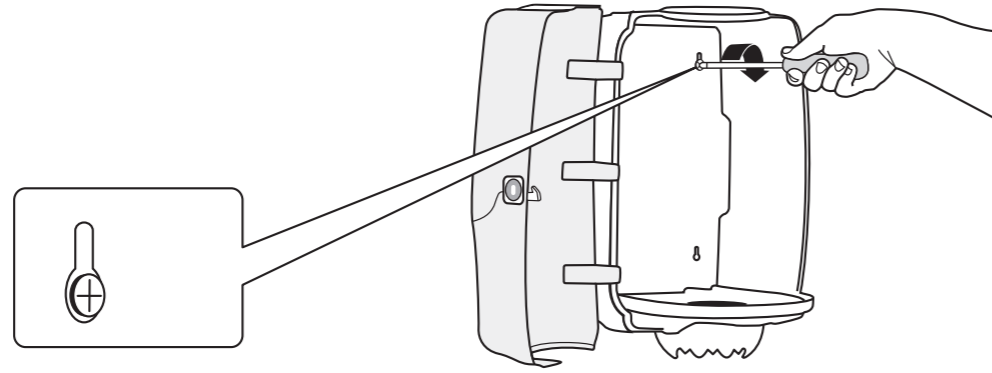


2.

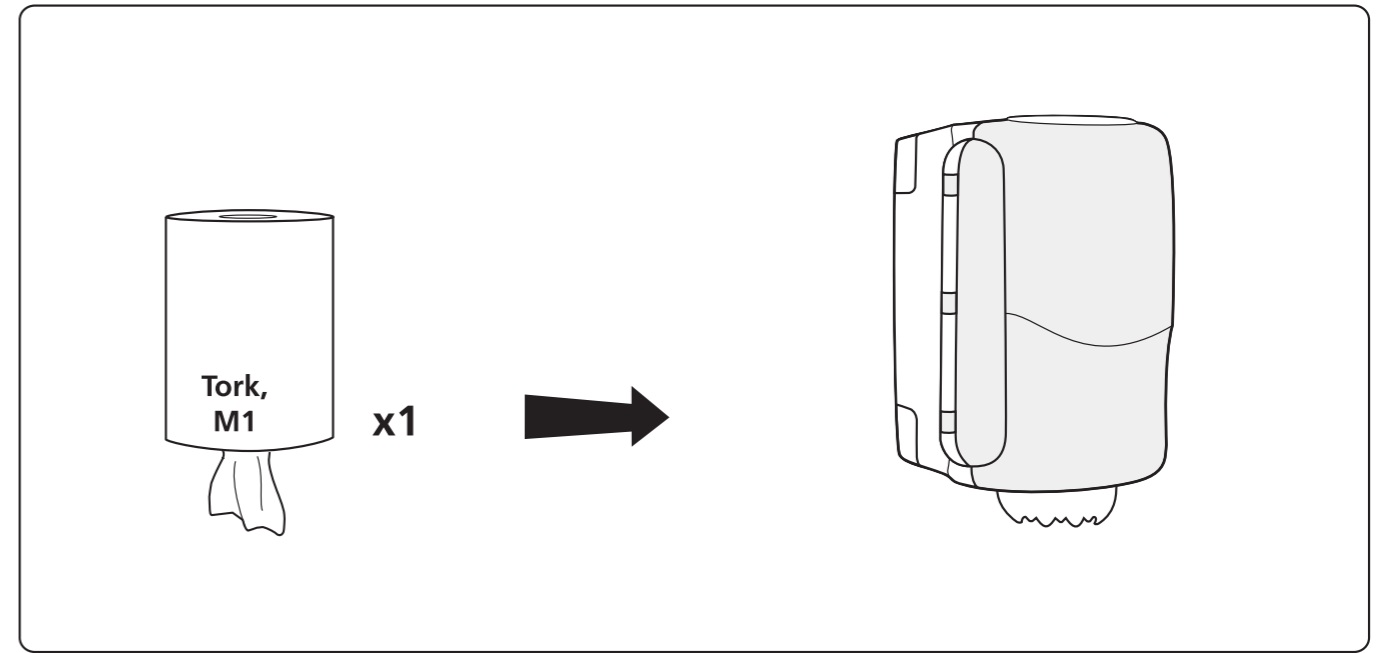
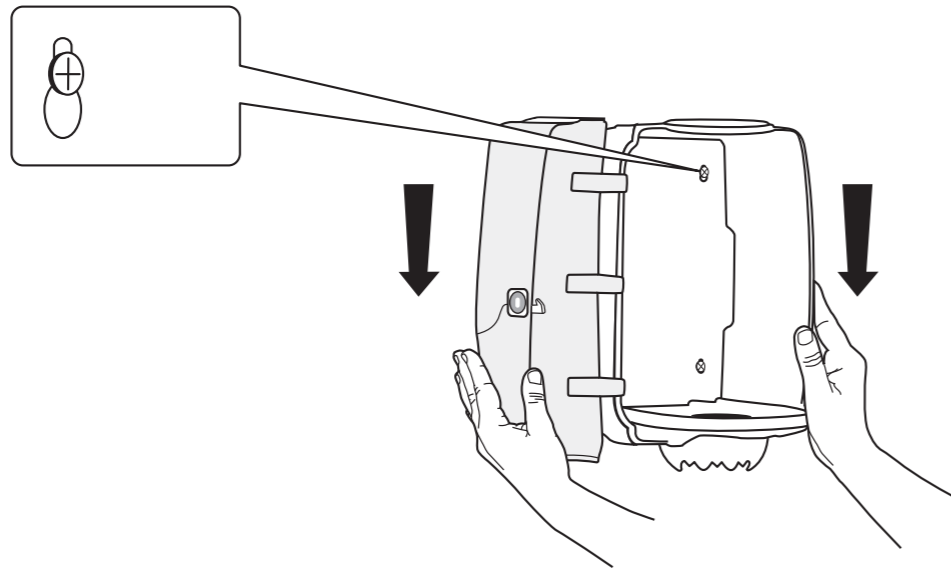


3.

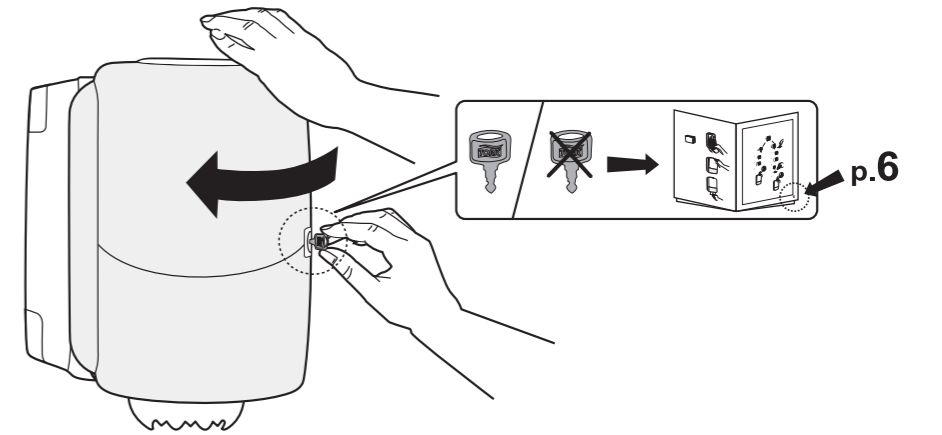
 x4
 x4



4.



1.



2.

