

European Community Design Registration RCD 001149447

2012-12-05

# Centrefeed Dispenser

M2

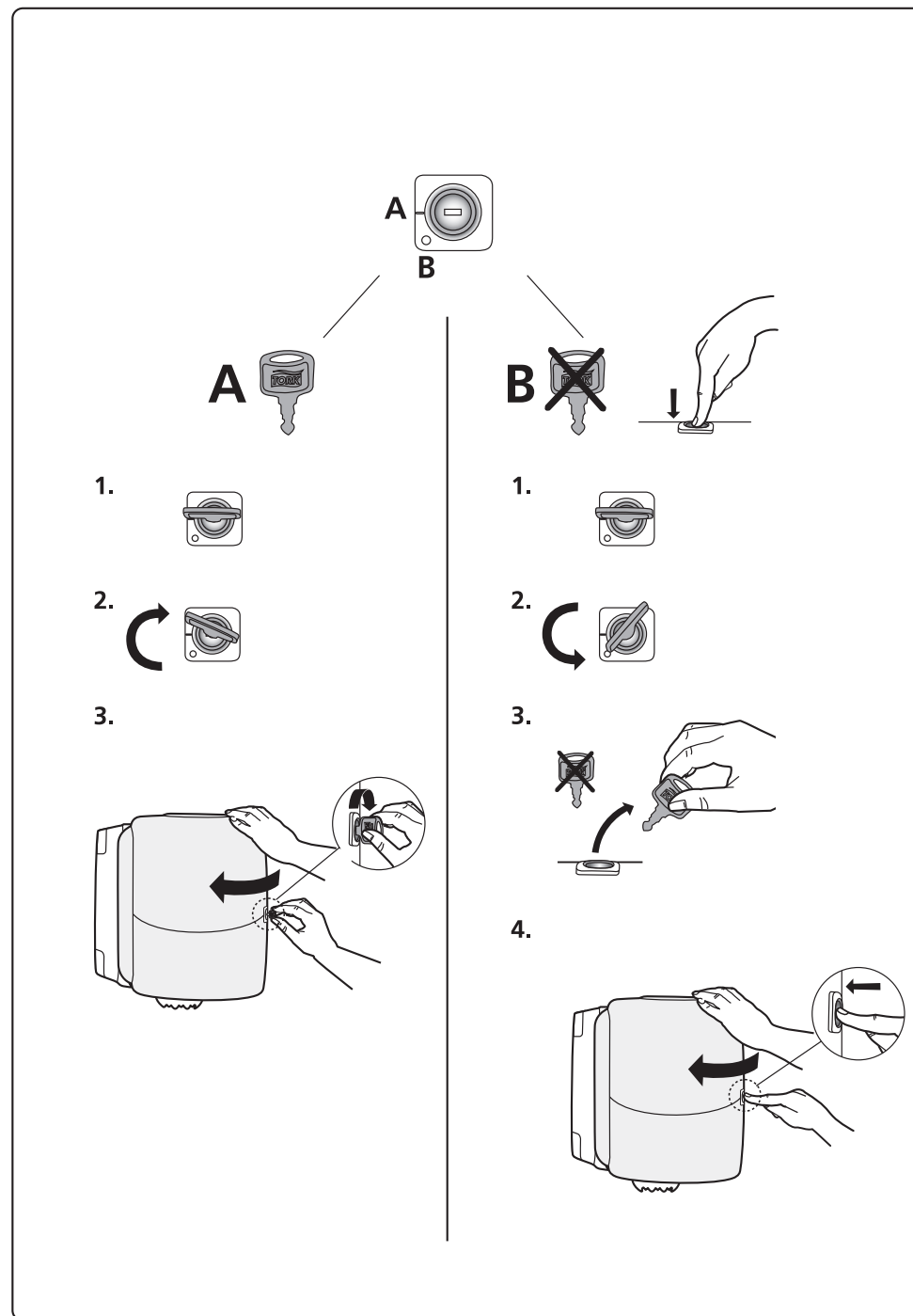
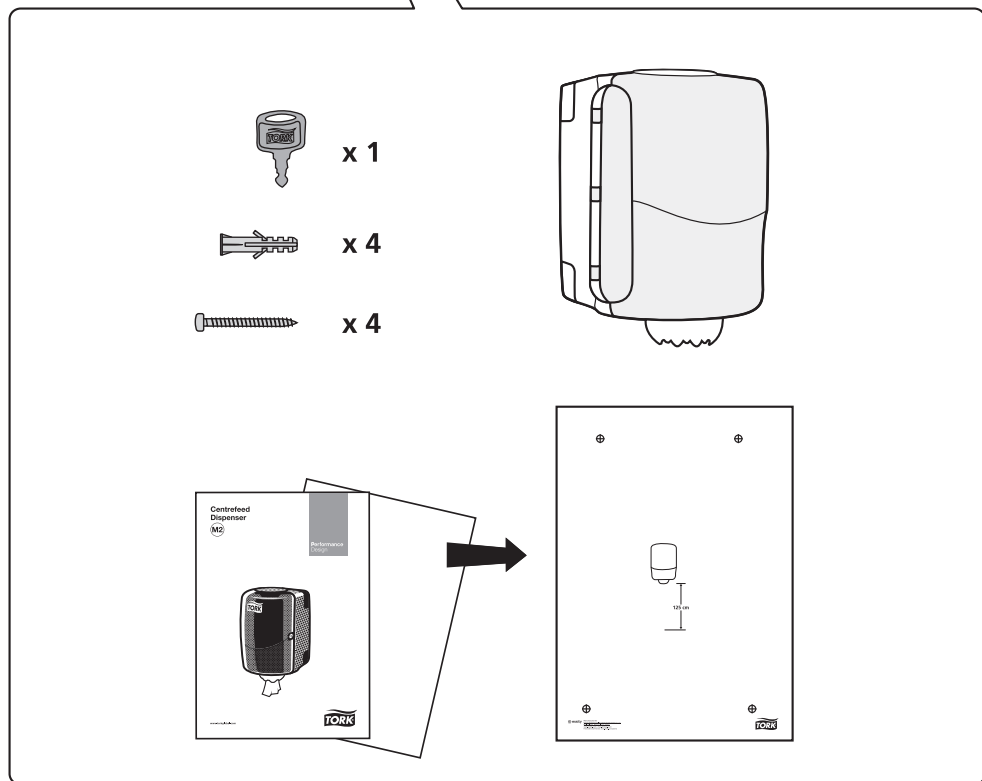
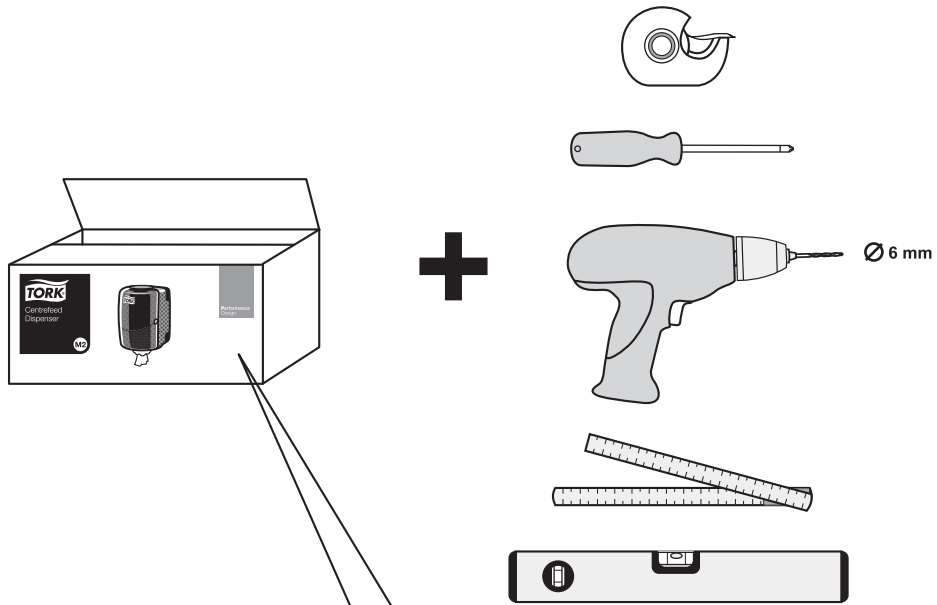
Performance  
Design



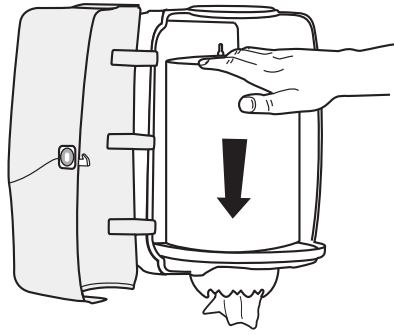
Manufactured for  
Essity Professional Hygiene North America LLC  
Philadelphia, Pennsylvania 19104  
[www.essity.com](http://www.essity.com), [www.torkusa.com](http://www.torkusa.com)  
Patents/Brevets/Patentes: [www.essity.com/patents](http://www.essity.com/patents)

[www.torkglobal.com](http://www.torkglobal.com)

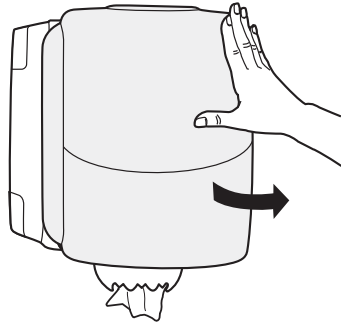




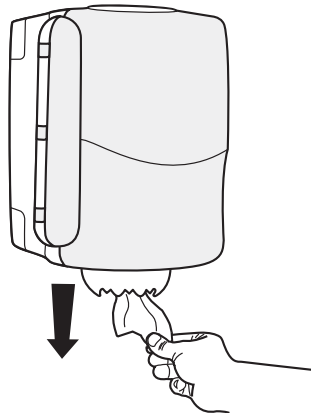
3.



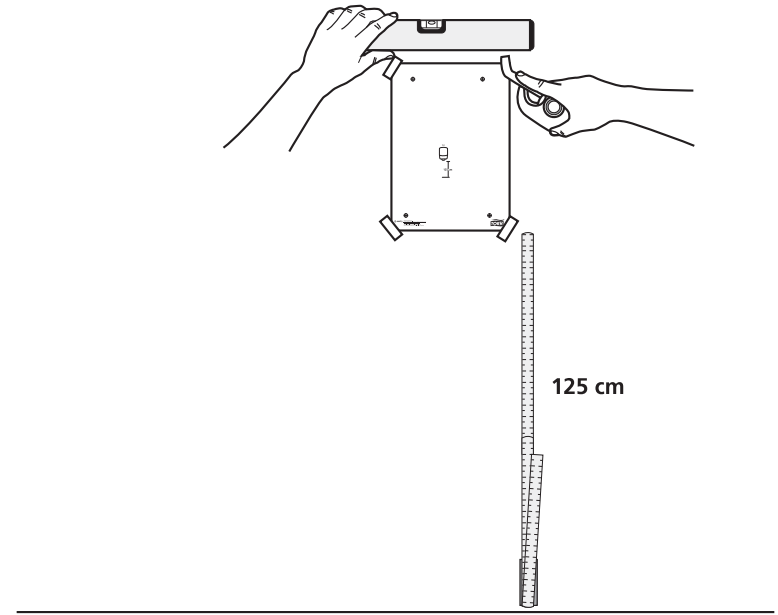
4.



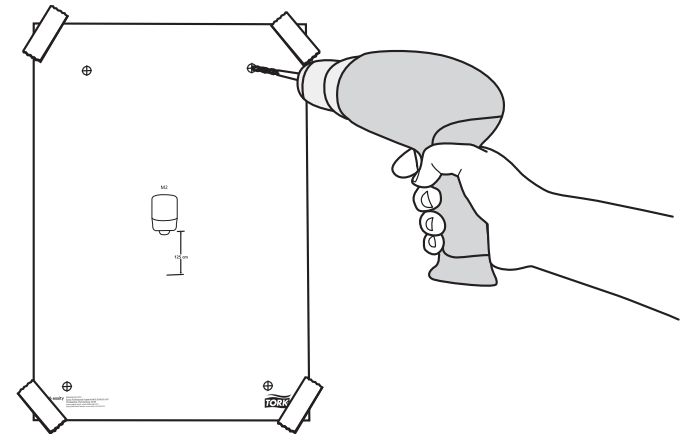
5.



1.



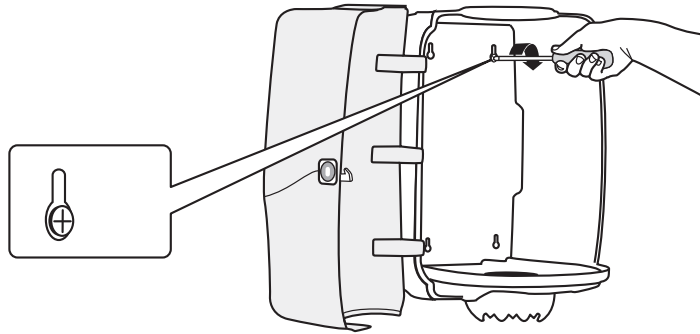
2.



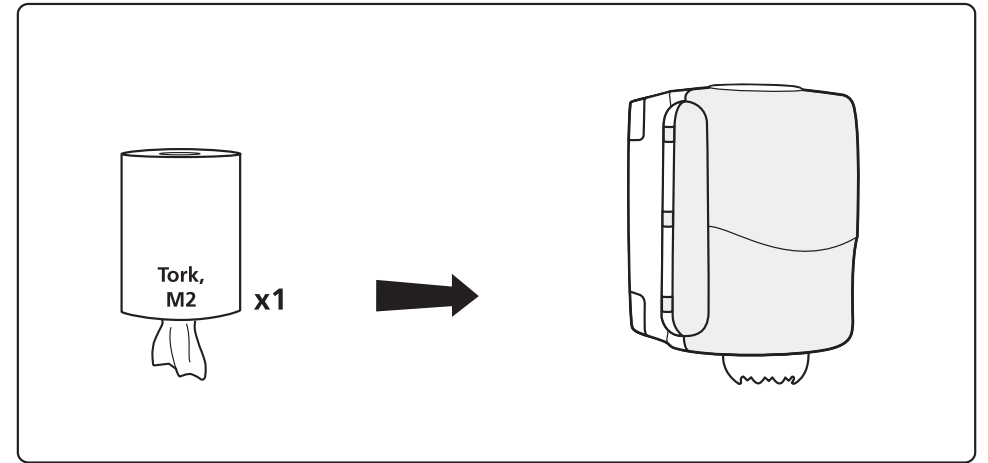
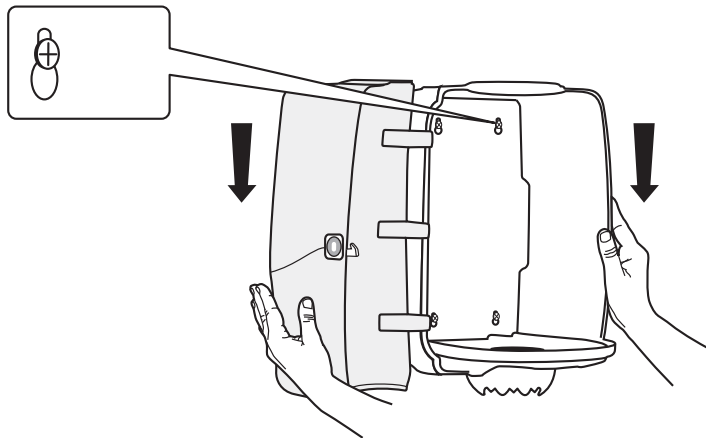
3.

 x4

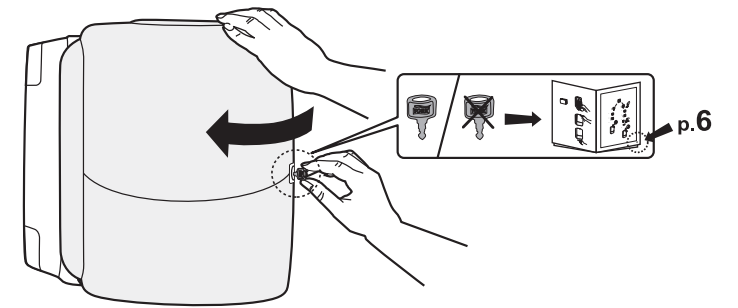
 x4



4.



1.



2.

